

Section

Public Address

Category

EN 54-24 Loudspeakers

Code

C57/6-EN, C58/12-EN

References

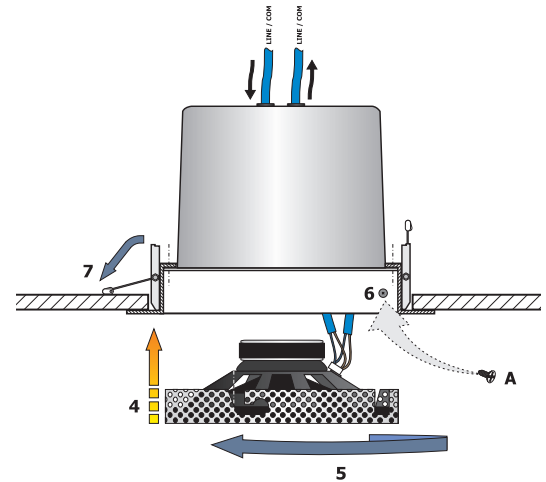
Safety: Compliant to EN 60065
Emergency: EN 54-24, EN 60849
Application: Indoor environments (Type A)
Protection Degree: IP32



Description

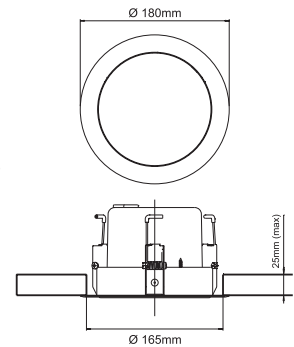
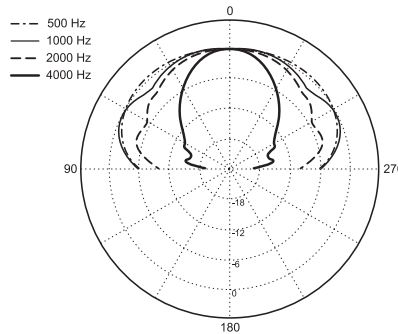
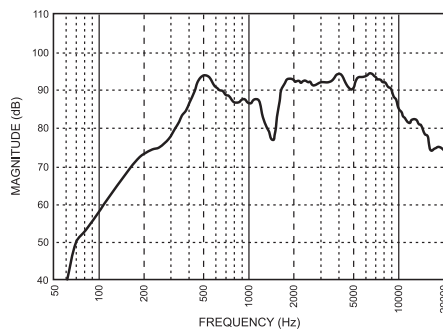
Metal ceiling fixture for voice alarm systems

These speaker units have been developed specifically for use in emergency and evacuation systems (VES) and each has its own ceramic terminal strip and thermal fuse. These ensure the protection of the line connecting the loudspeakers if a fire puts one or more of the speaker units connected to it out of use. The spring-based fixing system and the bayonet coupling cut the installation time. This ceiling fixture has a steel flame-proof cap, in order to comply with fire-fighting safety standards.

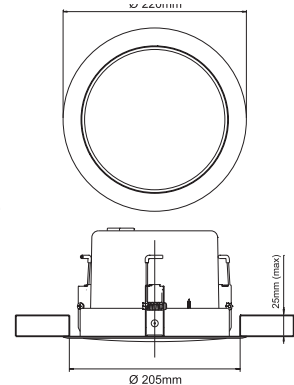
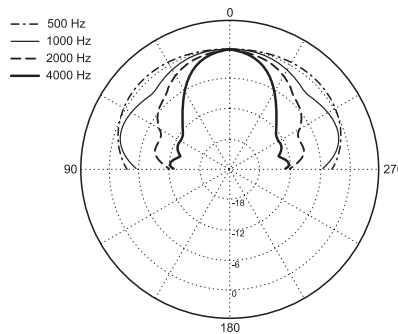
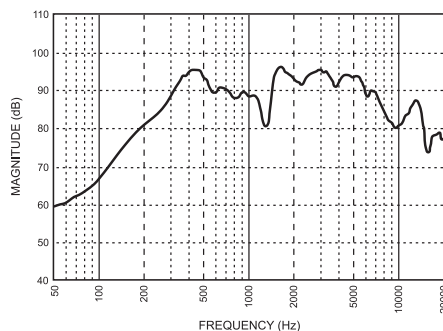


Technical data

C57/6-EN



C58/12-EN



Simulated free-field measurements.

Technical data

MODEL	C57/6-EN	C58/12-EN
Certificate	<p>0068</p> <p>PASO S.p.A Via Settembrini, 34 20020 Lainate (MI)</p> <p>13</p> <p>0068-CPR-033/2013</p> <p>EN 54-24</p> <p>Loudspeaker for voice alarm systems for fire detection and fire alarm systems for buildings</p> <p>C57/6-EN</p> <p>Type A</p>	<p>0068</p> <p>PASO S.p.A Via Settembrini, 34 20020 Lainate (MI)</p> <p>13</p> <p>0068-CPR-033/2013</p> <p>EN 54-24</p> <p>Loudspeaker for voice alarm systems for fire detection and fire alarm systems for buildings</p> <p>C58/12-EN</p> <p>Type A</p>
Rated output	6 W (100 V)	12 W (100 V)
Nominal impedance (100 V line)	1667 Ω (6W) 3333 Ω (3W) 6667 Ω (1.5W)	833 Ω (12W) 1667 Ω (6W) 3333 Ω (3W)
Nominal impedance (70 V line)	817 Ω (6W) 1633 Ω (3W) 3267 Ω (1.5W)	408 Ω (12W) 817 Ω (6W) 1633 Ω (3W)
Sensitivity	92 dB (1W/1m)	94 dB (1W/1m)
Max. sound pressure SPL*	100 dB (6W/1m)	105 dB (12W/1m)
Frequency response	350 ÷ 15.000 Hz (peak -10 dB)	250 ÷ 15.000 Hz (peak -10 dB)
Horizontal angle of dispersion (-6 dB)	180° (500 Hz) 180° (1 kHz) 160° (2 kHz) 70° (4 kHz)	180° (500 Hz) 180° (1 kHz) 110° (2 kHz) 60° (4 kHz)
Vertical angle of dispersion (-6 dB)	180° (500 Hz) 180° (1 kHz) 160° (2 kHz) 70° (4 kHz)	180° (500 Hz) 180° (1 kHz) 110° (2 kHz) 60° (4 kHz)
Operating / storage temperature	-25°C ÷ +55°C / -40°C ÷ 70°C	
Relative humidity	< 95%	
Mounting hole	∅ 165 mm ±3	∅ 205 mm ±3
Size	∅ 180 mm	∅ 220 mm
Weight (inclusive of the flame-proof cap)	1,6 kg	2 kg

* Measurement made at the geometric center of the loudspeaker.